

BETAETIGER-S-WQT-SN (Order no. 095740)

Actuator S, bent, for safety switch SGA/SGP/STA/STP/STM

- ▶ Two safety screws included



Notice

S-...-SN actuators must not be used in conjunction with insertion funnels. S-...-LN actuators must be used for insertion funnels.

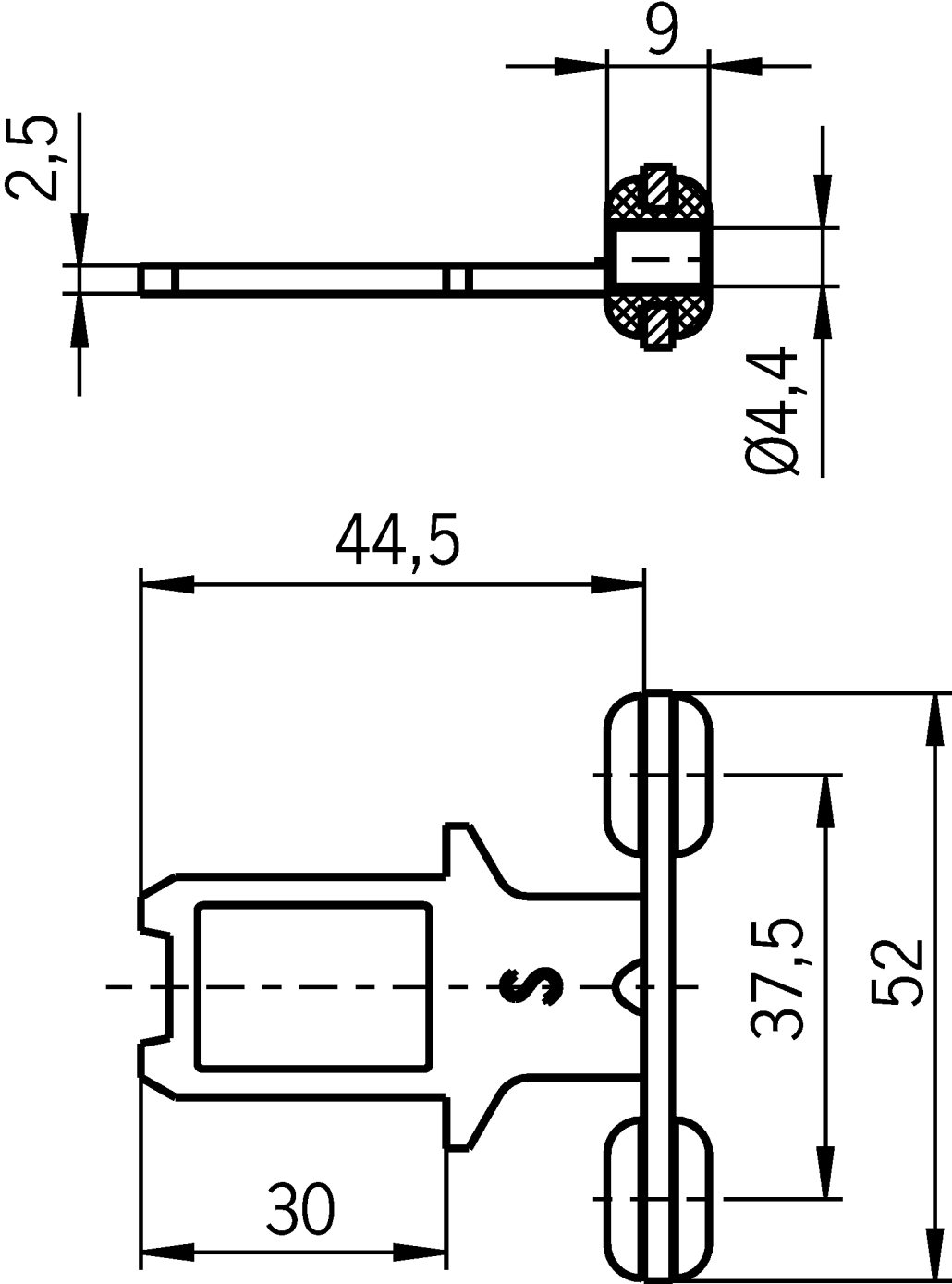
Bent actuator

Suitable for a maximum tensile force of 1000 N.

Screws made of stainless steel

The safety screws included can be inserted with a normal tool, but cannot be removed again.

Dimensional drawings



Technical data

Approvals



Mechanical values and environment

Overtravel	max. 5 mm
------------	-----------

Door radius	min. 300 mm
-------------	-------------

Material

Rubber bush	NBR
-------------	-----

Actuator	Stainless steel
----------	-----------------

Screw	Stainless steel
-------	-----------------

Locking force F_{max}	max. 1000 N reduced locking force by actuator
-------------------------	---

Miscellaneous

Usability of insertion funnel	no
-------------------------------	----

Downloads

All documentation for this material can be found on our website:

<https://www.euchner.de/en-us/a/095740/?#downloads-tab>

Ordering data

Ordernumber	095740
Item designation	BETAETIGER-S-WQT-SN
Gross weight	0,027kg
Customs tariff number	85389099990
ECLASS	27-27-26-06 Actuator for safety-related position switch

Accessories

Mounting accessories

Safety screws M4 x 14

074063

M4X14-NIRO/V100

- ▶ Safety screws M4 x 14
- ▶ Screw head diameter: 10 mm
- ▶ Packaging unit 100 pieces

Safety screws M4 x 14, large head

086232

M4X14-NIRO/V100

- ▶ Safety screws M4 x 14 (large head)
- ▶ Packaging unit 100 pieces